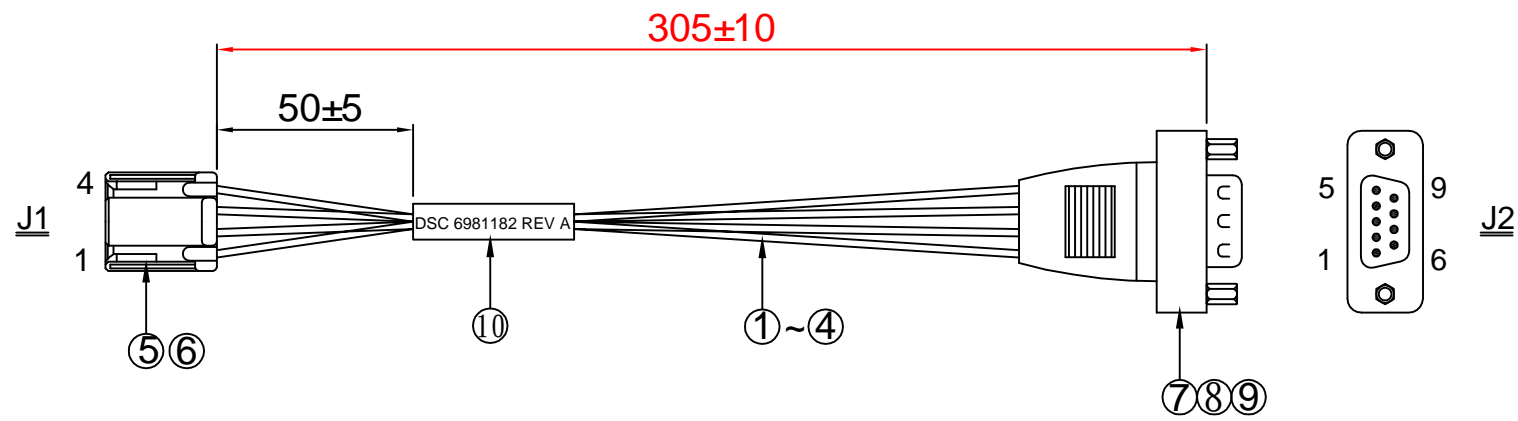
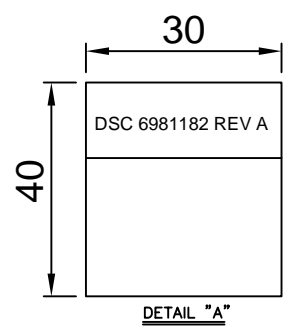


REV.	ECO.	NO.	APPD
A	REL.		JHONNY 02/25'14



4	GREEN	6
3	BLUE	7
2	BROWN	2
1	RED	3
J1	WIRE COLOR	J2

WIRE CONNECTION TABLE



10	LABEL	1PC	W=30.0MM, L=40.0MM, CONTENT: SEE "A"	
9	SCREW	2PCS	MATERIAL: COPPER, NICKEL PLATED HEX SCREW H: 4.75*11.8 #4-40UNC	
8	SHELL	1PC	MATERIAL: ABS, UL94V-0, COLOR: BLACK W/NUT #4-40UNC P/N: DKN9/9	
7	D-SUB 9M	1PC	MATERIAL: PBT, UL94V-0, INSULATION: BLACK D-SUB 9 MALE, PIN GLOD FLASH SHELL: NI PLATED SP P/N: 010309-00002201	E334753
6	CONTACT	4PCS	MATERIAL: PHOSPHOR BRONZE, TIN PLATED WIRE RANGE: #30~#26, JST P/N: SSSL-002T-P0.2 WIRE RANGE: #32~#28, JCTC P/N: 11257TOP-2E	
5	4P HOUSING	1PC	MATERIAL: PBT, UL94V-0, COLOR: NATURAL WHITE PITCH: 1.25MM, 1X4 JST P/N: GHR-04V-S JCTC P/N: 11257H00-04P-L	E60389 E338796
4	WIRE	1PC	UL1061#28, COLOR: GREEN, JACKET: PVC	E108485
3	WIRE	1PC	UL1061#28, COLOR: BLUE, JACKET: PVC	E108485
2	WIRE	1PC	UL1061#28, COLOR: BROWN, JACKET: PVC	E108485
1	WIRE	1PC	UL1061#28, COLOR: RED, JACKET: PVC	E108485
No.	ITEM	Q'TY	DESCRIPTION	UL NO.

- NOTES:
- ALL DIMENSIONS ARE "MM".
 - ANY OPEN, MISWIRING, SHORT & INTERMITTENT ARE NOT PERMITTED.
 - Connection Resistance : 2.0Ω
Insulation Resistance : 20MΩ
Hi-POT Voltage : 300V DC
Hi-POT Duration : 10mS
 - THE PRODUCT MUST BE COMPLY WITH THE DIRECTIVE OF ROHS.
 - PACKAGE: 1PC/BAG.



X.:±	.XX:±	X':±	.XX':±	PART NO.(INTENDED USE) 6981182 REV A	TITLE: CABLE, DB9M TO GH CONNECTOR, CRIMP STYLE
.X:±0.5	.XXX:±	.X':±	.XXX':±	APPD: JHONNY 02/25'14	DWG NO.: GL-GH696
				CHKD: WUZUJIAN 02/25'14	SCALE SHEET REV. NONE 1/1 A
				DR: WUZUJIAN 02/25'14	

